



Horizon Electronics Ltd
Power Systems

Titan 5Gi Series

AC-DC Power Supply & Battery Charger



Your power solution for **EXTREME** conditions



Get the versatility you need to power your harsh environment applications

Powerful Performance. Effortless Flexibility. Simple Integration.

3 YEAR
Warranty

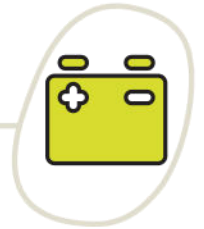
The Titan 5th Generation Industrial Series power supply & Battery Charger delivers cutting-edge technology and performance in the segment of harsh environment products. This feature-rich products family provides solutions for most application requirements and sets the standard for power density, performance and versatility for extreme conditions operation.

The products have been designed for your needs to expand your performance, allowing you to use these robust products in extreme conditions.

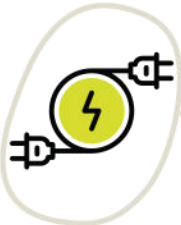
Generator

T5Gi - 02D0 - 28 - NO - 0 - 0

Batteries



Grid



85-264 VAC

Systems



23-32 VDC

T5Gi - 02D0 - 28 - NO - CH - 0

T5Gi	Output Power Continuous (kW)	Output Voltage	Communication	Charger
Titan 5th Generation Industrial Series	01D0.....(2019) 02D0 03D0.....(2019)	28 - 23-32V 48 - 42-58V.....(2019)	NO - W/o Com. CO - With Com.(2019)	CH - Charger NO - W/o Charger

Challenge us with your environment !

T5Gi - 02D0 - 28 - NO - 0 - 0

Specification

Electrical data	
Input voltage	85-264 VAC
Power Factor	
- load \geq 50%, Vin: 50/60 Hz	Typical 0.99
- load \geq 50%, Vin: 440Hz	Typical 0.98
Input Current	
- Load: 2,000W	\leq 22.5 A @ 99 VAC
- Vin: 50/60 Hz	\leq 18.5 A @ 120 VAC \leq 9.6 A @ 230 VAC
Efficiency	
- Load: 80 A Vin: 230 VAC	$>$ 92 %
Adjustable output voltage	23-32 VDC
Overvoltage protection (OVP)	36 V
Adjustable output current limit	10 - 80 A
Safety	CE marked EN 62368 - 1
Temperature Derating	65°C / 149°F
Encapsulation	IP 67
ROHS Compliant	
EMC, ESD Immunity	EN 610004-2/3/4/5



Reliability (MTBF) according to Telcordia

200,000 (Hour) @ 45°C / 113°F

Environmental

High Temperature Operation	+80°C / 176°F
Low Temperature Operation	-40°C / -40°F

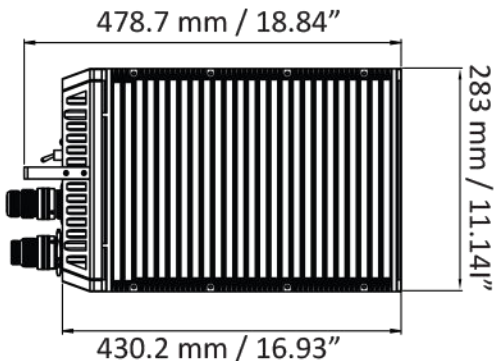
Accessories

T5Gi - DOK - 3

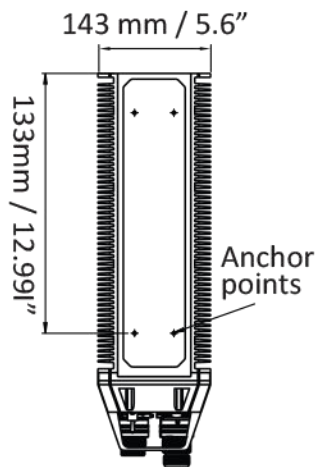
T5Gi	Accessories	Rack Size
Titan 5th Generation Industrial Series	DOK - Docking Cin - Cable Input Cout - Cable output	1 2 3

Dimensions

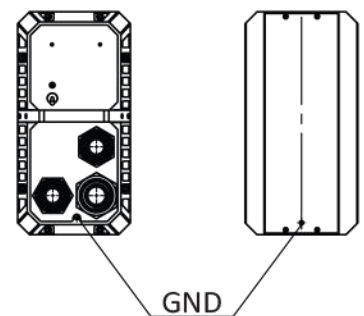
Height	283.0 mm / 11.14"
Width	143.0 mm / 5.6"
Depth	430.2 mm / 16.93"
Depth with Handle	478.7 mm / 18.84"
Weight	14kg / 30.9 lbs



Side View



Top View



Rear View

About Horizon

Since 1970, Horizon Electronics has been a leading designer and manufacturer of power supply systems, specialized in harsh environmental, industrial, civil and defense.

Horizon offers both standard and custom solutions, ranging from light customization up to fully customized products. The company brings to its customers high-quality, innovative products, and cost effective solutions.

Our DNA

Experience

- ⊕ 50 years of developing and manufacturing power supply systems
- ⊕ Over 500 thousand power supply units delivered
- ⊕ Hundreds of man-years of Power supply expertise and knowledge
- ⊕ Leading customer base in diverse vertical markets

Performance

- ⊕ State of the art Technologies and industry-leading performance
Innovation driven
- ⊕ Platforms optimized with experience and know-how gained over multiple platform generations

Value

- ⊕ Complete cost-effective power supply systems and components
- ⊕ Flexibility and fast customization to customer's specific requirements
- ⊕ Strong Technical support
- ⊕ Leading Business system tools

Horizon Electronics

3 Basel St. ,P.O.B 3872 Kiryat Arie,
Petah Tikva 4951037, ISRAEL
Tel: +972-3-923-0091
Fax: +972-3-924-7379
sales@horizon-pss.com

North America

Tel: +1-540-577-9740



Horizon Electronics Ltd
Power Systems

www.horizon-pss.com